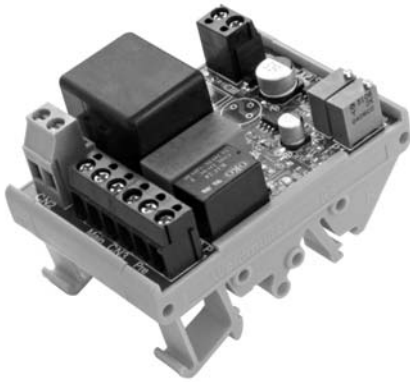


LVD Series



- Up To 30 A Maximum Current
- Deep Discharge Pre-Warning Alarm
- Din Rail Mounting
- Automatic Reset
- 12, 24 & 48 VDC

Specification

Input

Operating Voltage Range • -25% to +30% output voltage

Output

LVD Relay Contacts • 1 pole changeover - See Table for current rating

LVD Alarm Set Range • -35 to +10% output voltage (user adjustable)

Pre-Warning Disconnect • -35 to +10% output voltage (user adjustable)

General

Alarm Relay Contacts • 1 pole changeover, 1 A 24 VDC

Screw Terminal Sizes • Input - suitable for 1.0 mm² cable, LVD - suitable for 2.5 mm² cable, Alarms - suitable for 1mm² cable

Mounting • DIN Rail

Environmental

Operating Temperature • 0 °C to +50 °C (40 °C ambient plus +10 °C rise inside enclosure)

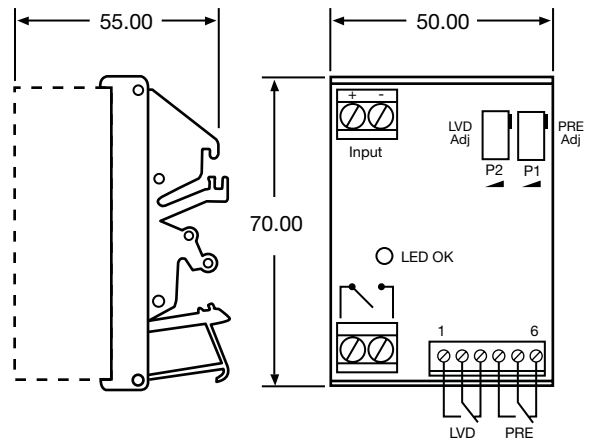
Operating Humidity • 90% non-condensing

Storage Temperature • -40 °C to +85 °C

Models and Ratings

Output Voltage	Output Current	Model Number
12 V	30 A	LVD12
24 V	20 A	LVD24
48 V	10 A	LVD48

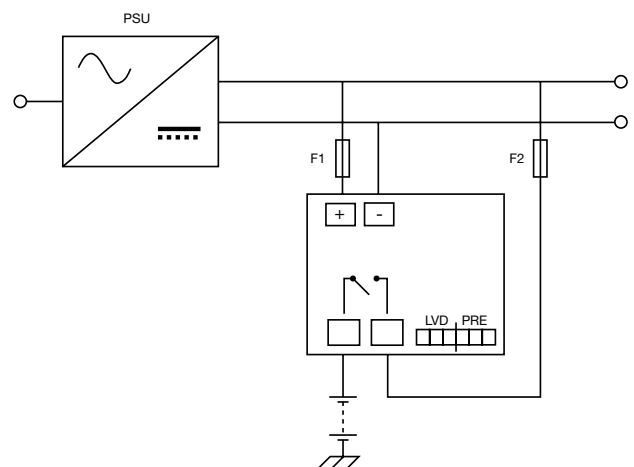
Mechanical Details



Notes

1. All dimensions in mm.
2. Weight 0.11 Kg.
3. Alarm contacts shown in de-energised state.

Schematic



Note. F2 - Max rating 20 A